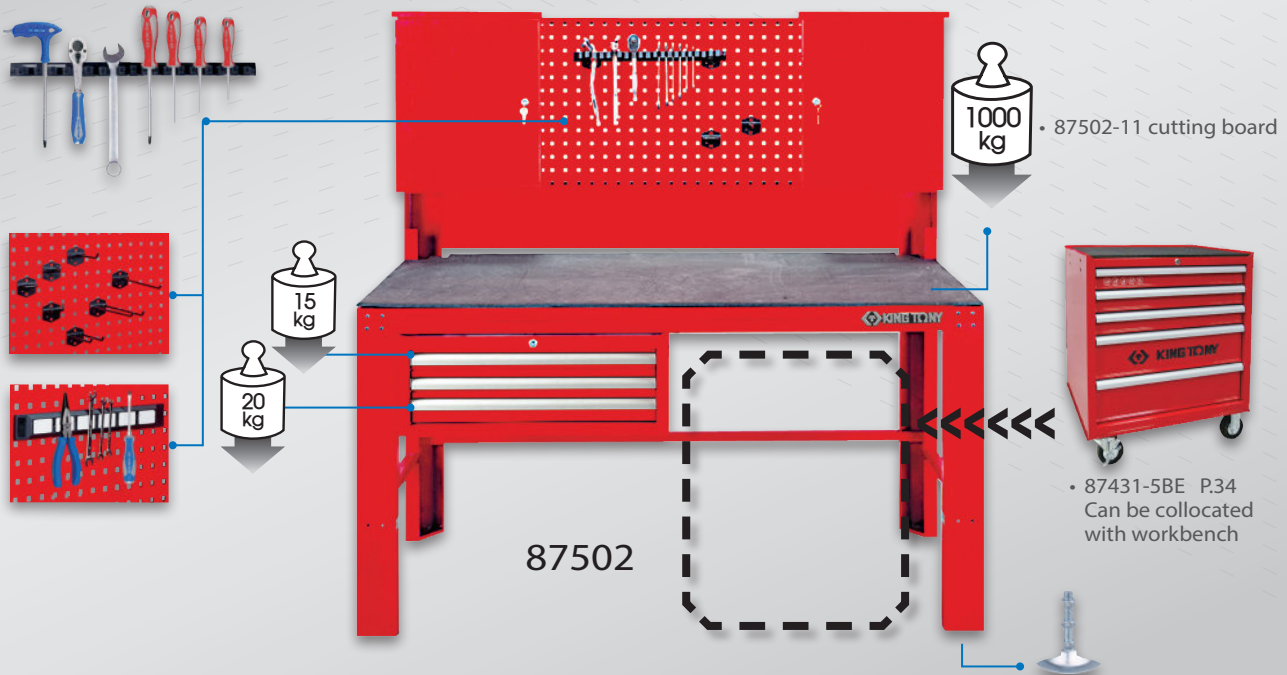




# Workbench



## Accessory

KT NO.	Contents	
87502-01		Tool holder 500mmL
87502-02		Magnetic tool holder for workbench backpanel Size : 458 x 52 x 17mm
87502-050		U Shape hook
87502-051		1" Shape hook
87502-054		4" Shape hook
87502-058		8" Shape hook
87502-061		1" Double hook
87502-064		4" Double hook
87502-068		8" Double hook
87502-11		<ul style="list-style-type: none"> <li>▪ Cutting board</li> <li>▪ Oil-resistant, acid-resistant, moisture-resistant and anti-static</li> <li>▪ 10mm PP foaming board</li> </ul>
87502-12		<ul style="list-style-type: none"> <li>▪ 4 PC. Adjusting device</li> <li>▪ Includes adjustable bolt &amp; adjustable pad</li> </ul>

### 87502P02

▪ Drawer chest for workbench



### 87502P03

▪ 2 PC. wall cabinets



KT NO.	Spec.	Dimension(mm)		Kg	CUFT
		Width x Depth x Height			
87502P02	Overall	660 x 307 x 251		13.00	2.7
	2 Drawer	569 x 275 x 50			
	1 Drawer	569 x 275 x 75			

KT NO.	Spec.	Dimension(mm)		Kg	CUFT
		Width x Depth x Height			
87502P03	Overall	400 x 200 x 500		14.00	4.5