

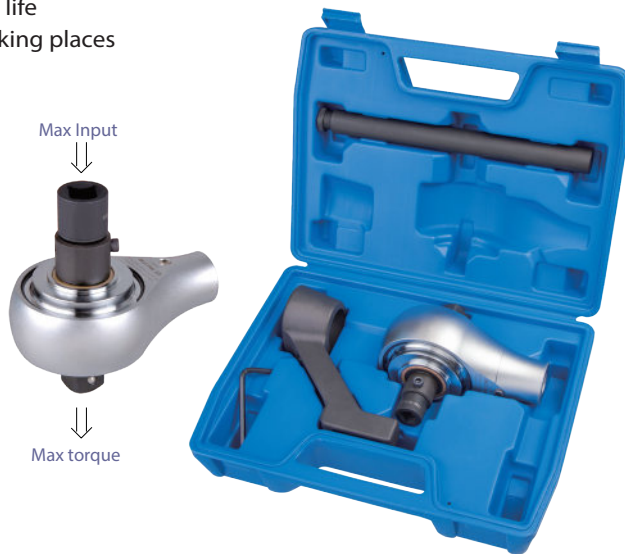
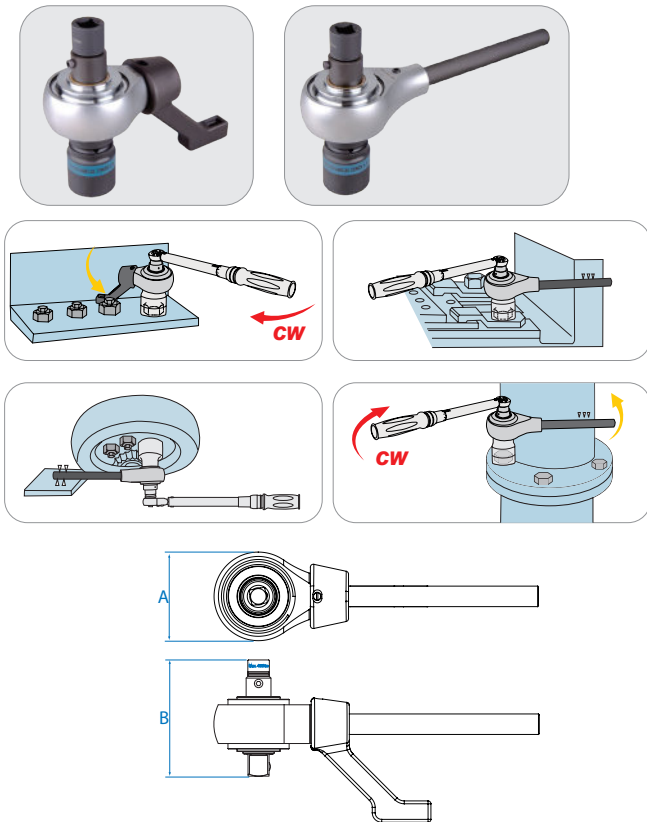
Torque Multiplier

34486

34488

34688

- Torque multiplication with 5:1, accuracy guaranteed better than $\pm 5\%$
- Reaction bar supplied in two styles for maximum versatility
- Ideal construction offers minimal maintenance and extended life
- Portable package brings convenience for use in different working places



Contents

	34486-05A 34488-05A 34688-05A	Multiplier head	1 PC.
	34688-P01	Reaction bar	1 PC.
	34688-P02	Reaction bar	1 PC.
	34486-P03 34488-P03 34688-P03	Torque-Limit Adapter	1 PC.

KT NO.	Ratio	Input square	Output square	Max input torque N-m / ft-lb	Max output torque N-m / ft-lb	A mm	B mm			
34486	5 : 1	1/2"	3/4"	300 / 220	1500 / 1100	108	136.3	7.1	1	2
34488	5 : 1	1/2"	1"	400 / 290	2000 / 1450	108	140.3	7.5	1	2
34688	5 : 1	3/4"	1"	540 / 400	2700 / 2000	108	161.0	7.7	1	2

