

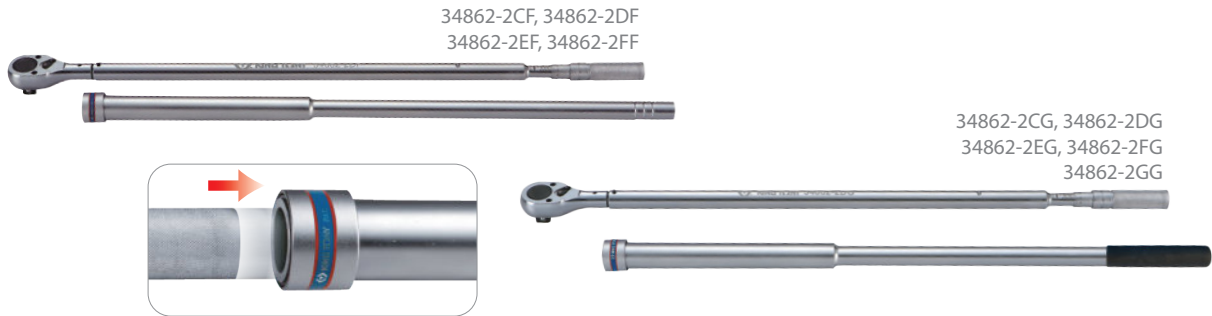
Heavy Duty Adjustable Torque Wrench

Design for easy torque adjustment

Quality accords to DIN ISO 6789:2017 & ASME B107.300-2010

Tolerance of torque $\pm 3\%$ (CW)

CW/CCW Direction



In order to ensure correct torque the extension bar must be used

Dual Scale - English & Newton Meter (ft-lb & N-m)

KT NO.	Square drive	Torque Range ft-lb	Incr.	Torque range N-m	Incr.	Overall length mm	kg	Box/Case
34862-2CG	1"	200~1000 ft-lb	5 ft-lb	305~1322 N-m	6.8 N-m	1850	12.20	1 / 2
34862-2CF	1"	200~1000 ft-lb	5 ft-lb	305~1322 N-m	6.8 N-m	1850	12.20	1 / 2

Single scale - Newton Meter (N-m)

KT NO.	Square drive	Torque range N-m	Incr.	Overall length mm	kg	Box/Case
34862-2DF	1"	300~1500 N-m	10 N-m	1850	12.20	1 / 2
34862-2DG	1"	300~1500 N-m	10 N-m	1850	12.20	1 / 2

Single scale - English (ft-lb)

KT NO.	Square drive	Torque Range ft-lb	Incr.	Overall length mm	kg	Box/Case
34862-2EG	1"	200~1000 ft-lb	5 ft-lb	1850	12.20	1 / 2
34862-2EF	1"	200~1000 ft-lb	5 ft-lb	1850	12.20	1 / 2



Dual Scale - Newton Meter & English (N-m & ft-lb)

KT NO.	Square drive	Torque range N-m	Incr.	Torque range ft-lb	Incr.	Overall length mm	kg	Box/Case
34862-2FF	1"	300~1500 N-m	10 N-m	258~1070 ft-lb	7.4 ft-lb	1850	12.20	1 / 2
34862-2FG	1"	300~1500 N-m	10 N-m	258~1070 ft-lb	7.4 ft-lb	1850	12.20	1 / 2

Dual Scale - Kilogram-force meter & Newton Meter (kgf-m & N-m)

KT NO.	Square drive	Torque range kgf-m	Incr.	Torque range N-m	Incr.	Overall length mm	kg	Box/Case
34862-2GG	1"	30~150 Kgf-m	1 Kgf-m	343~1422 N-m	5 N-m	1850	12.20	1 / 2

