

Pry Bar & Set

- Grip material - PP+TPR
- Chrome vanadium alloy steel

9TK1

- Packaged in plastic tray
- Pry bars are for prying and levering
- Sturdy blade minimizing lever spring effect
- It's hardened and tempered for maximum durability



KT NO.	L mm		
9TK108	204	140.4	6 / 72
9TK112	312	286.0	6 / 48
9TK118	458	547.0	6 / 48
9TK124	608	677.2	6 / 36

9TK014

4
PC.



Contents

1.87 5 / 10



9TK108
9TK112
9TK118
9TK124

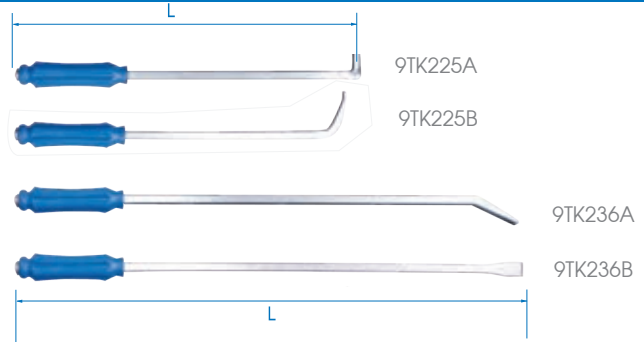
Jumbo Pry Bar & Set

9TK2

new

- For heavy-duty application
- Includes straight, 90, 45, 30 degree tip for variety situation to use
- Extra long pry bar makes more powerful for prying and levering

KT NO.	Inch	L mm	Type		
9TK225A	25	625	90°	1.62	1 / 6
9TK225B	25	625	45°	1.51	1 / 6
9TK236A	36	920	30°	2.07	1 / 12
9TK236B	36	920	Straight	2.06	1 / 12



9TK024

new

Contents

9.34 1 / 2



9TK225A
9TK225B
9TK236A
9TK236B

4
PC.

